



Fiam Nut Presenter



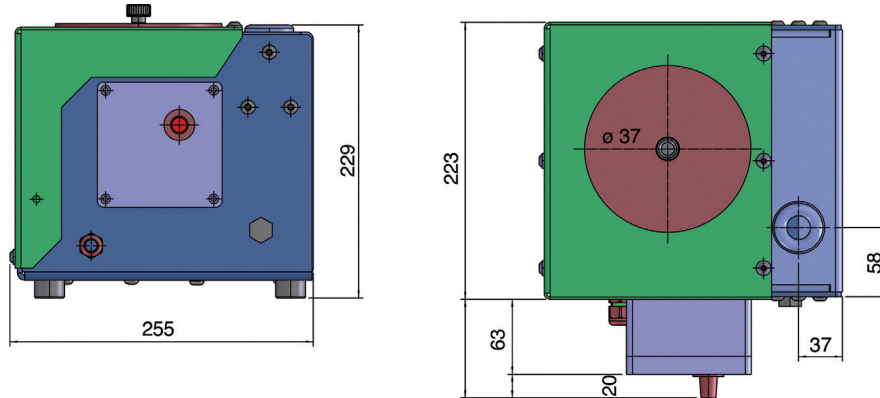
- Reduce cycle time and improve productivity
- Provides continuous supply of nuts
- Nuts can be picked up directly with the special socket
- Highly reliable, long life and ease of use
- For hexagonal nuts from 5.5 to 13 mm
- High capacity vibrating loader unit equipped with a transparent cover
- Feed speed easily adjusted through a built-in electronic unit
- Pneumatic cylinder pushes the nut upwards into the special socket
- Can be used with straight air or electric nutrunners or screwdrivers with lever start

Model Number	Nut Height	Nut Size	Operating Pressure		Air Inlet Size
	mm	mm Hex	Bar	PSI	
AM55B	2.4	5.5	6.3	90	1/4" NPT
AM60B	3	6	6.3	90	1/4" NPT
AM70B	3.2	7	6.3	90	1/4" NPT
AM80B	4	8	6.3	90	1/4" NPT
AMB100B	5	10	6.3	90	1/4" NPT
AMB110B	5.5	11	6.3	90	1/4" NPT
AMB130B	6.5	13	6.3	90	1/4" NPT

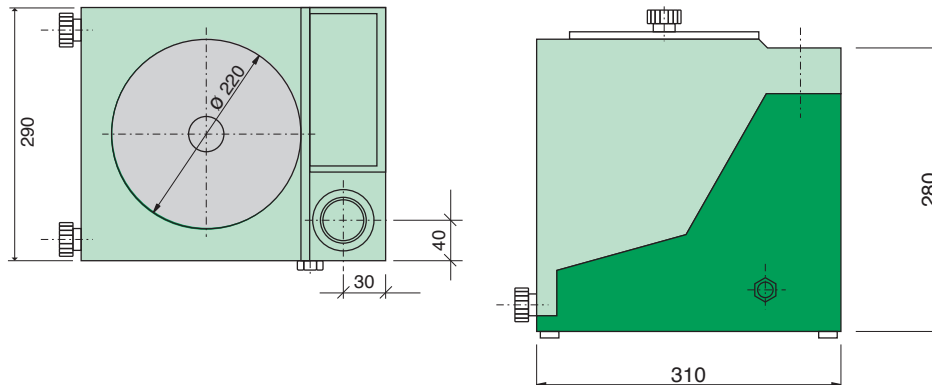
Dimensions

All dimensions are in mm.

AM models:



AMB models:



Special Sockets for Screwdrivers

Use the dimensions in the table below to select the correct socket for the application. Dimension C is the minimum measure to ensure that the centering ring (ϕB) does not touch the components to be assembled during the tightening process.

Special Socket	Socket with 1/4" Hexagonal Drive		
mm	C (mm)	A ϕ (mm)	B ϕ (mm)
5.5	9.5	8.8	20
6	9.5	9.8	20
7	9.5	11.5	21.5
8	9.5	13	23
10	8.5	14.8	25
11	8.5	18	29
13	8.5	19.8	29

